


POP-UP ASSEMBLY INSTRUCTIONS

View popup assembly video ...

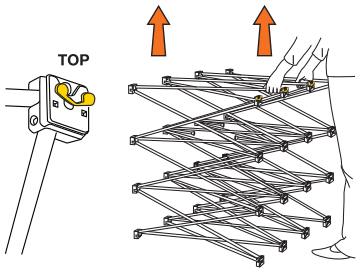


1



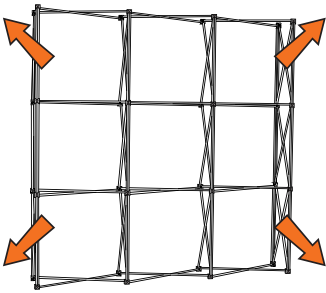
A typical kit includes frame, magnetic bars, 2x D-end graphics and front facing graphics.

2



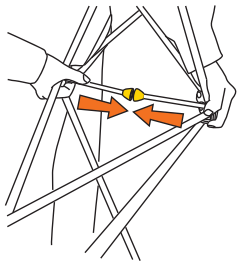
Assemble frame with the yellow coloured hookstuds at the top.

3



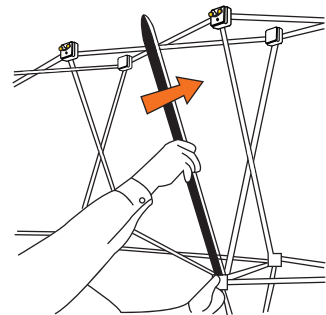
Open out framework.

4



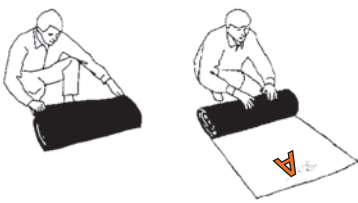
Push the locking bars together until they attach magnetically.

5



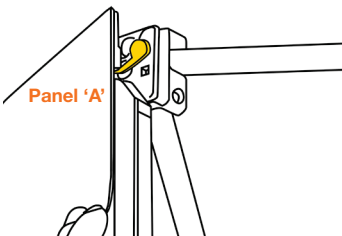
Attach magnetic bars to the front of the frame and the outer rear sections.

6



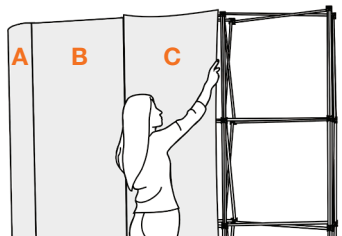
Unroll the graphic panels which are labelled on the rear.

7



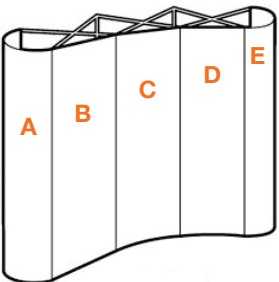
Start with D-end panel 'A' on the left end of the frame and hook it on the yellow node at the front top of the frame aligning it to outer half of the magnetic bar. Bring the panel around to the rear of the frame and hook it on to the yellow node at the back so it creates a rounded end and hides the side framework.

8



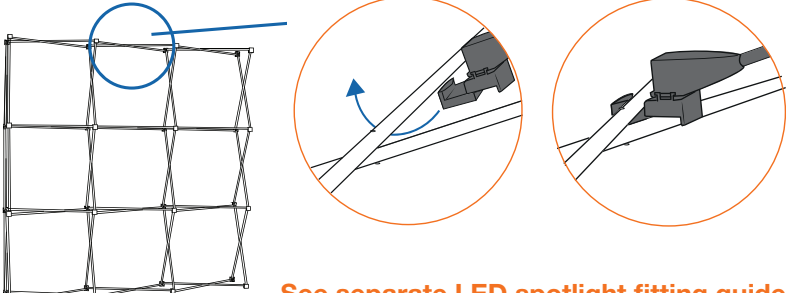
Working to the right take panel 'B' and hook it on to the yellow nodes at the top so it butts up against panel A on the left and takes up the other half of the magnetic bar. Work across to the right adding panels until you get to the opposite D-end panel which will wrap around to the rear as before.

9



These fitting instructions apply to all popup stands including L-shape and U-shape stands.

10 Fitting lighting to frame



See separate LED spotlight fitting guide