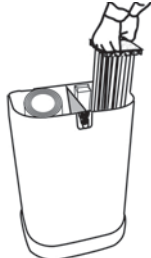


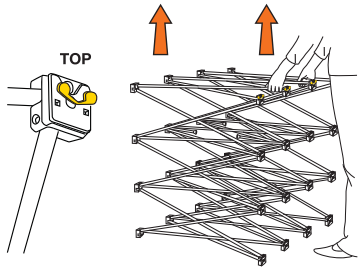
POP-UP ASSEMBLY INSTRUCTIONS

1



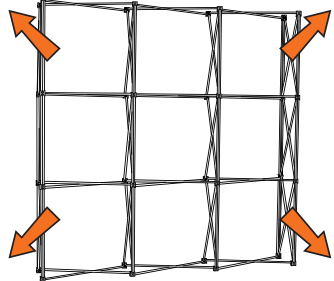
A typical kit includes frame, magnetic bars, 2x D-end graphics and front facing graphics.

2



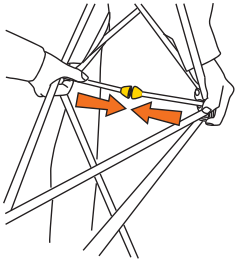
Assemble frame with the yellow coloured hookstuds at the top.

3



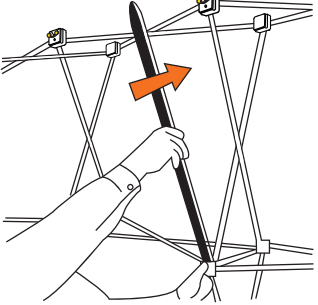
Open out framework.

4



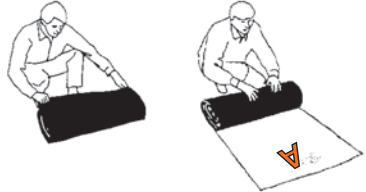
Push the locking bars together until they attach magnetically.

5



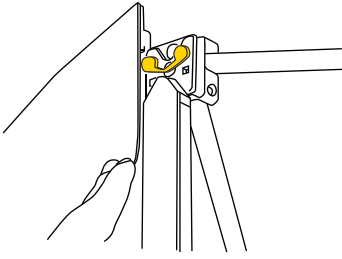
Attach magnetic bars to frame.

6



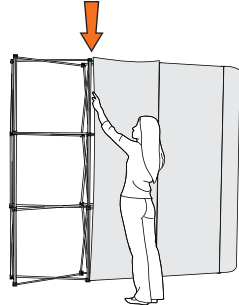
Unroll the graphic panels which are labeled on the rear.

7




Hook on reverse of panel locates on the yellow coloured stud.

8



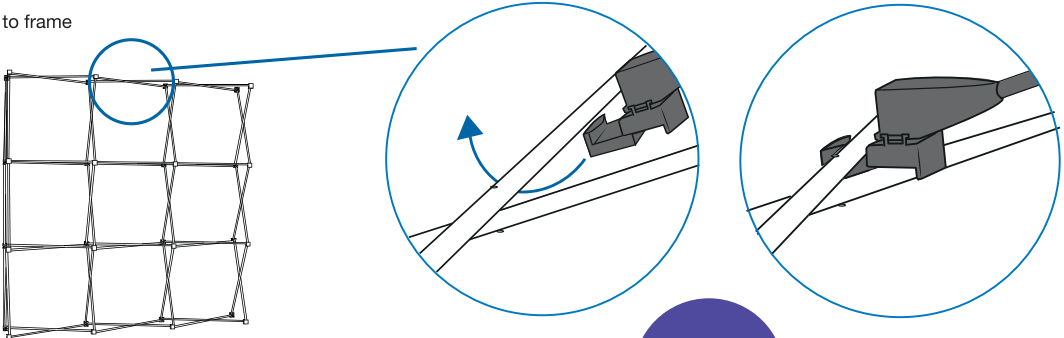
Align panel edges down centre of magnetic bar.

9



D-end panels curve from front to back.

10 Fitting lighting to frame



TV BRACKET
ASSEMBLY
PAGES 2-3

POP-UP SCREEN MOUNT

Hardware specifications

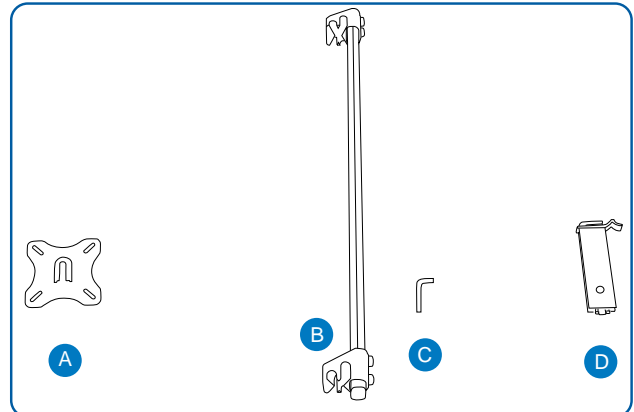
Max screen size: 22" wide screen

Max screen weight :5kg

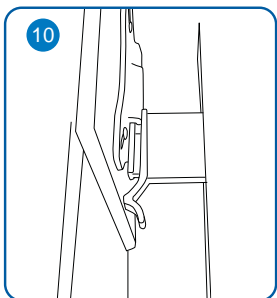
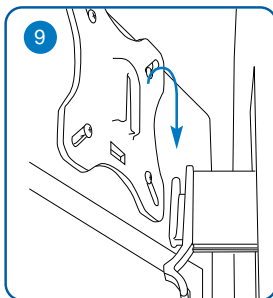
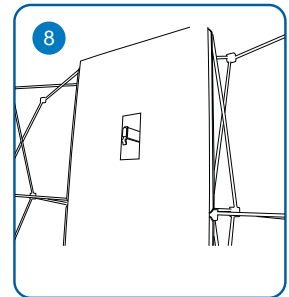
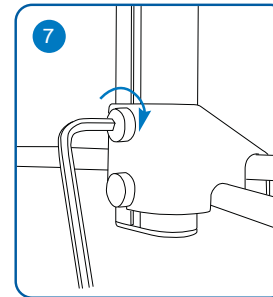
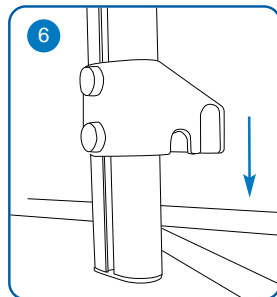
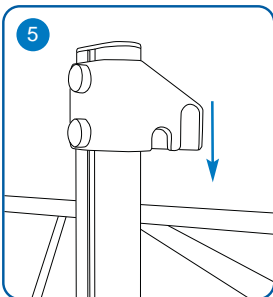
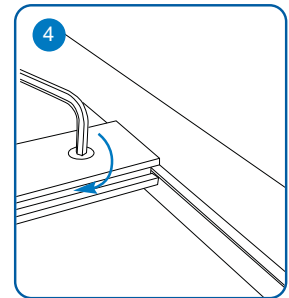
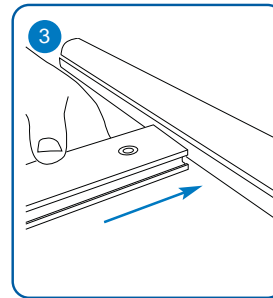
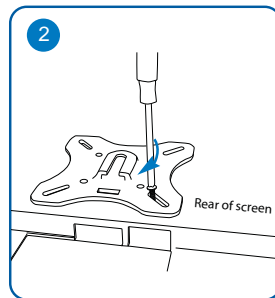
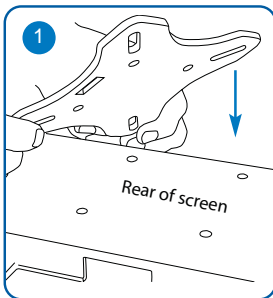
100/75/50 vesa compatible

Please note: Ensure screen is flat back for vesa mount plate.

Please note: If using a straight or rear curved system please use stabilising feet directly under the screen



(A) LCD screen mount (B) Pop up bracket (C) Allen key (D) Pop up LCD beam



RELEASING SCREEN

